



VCO R097107SMUA8

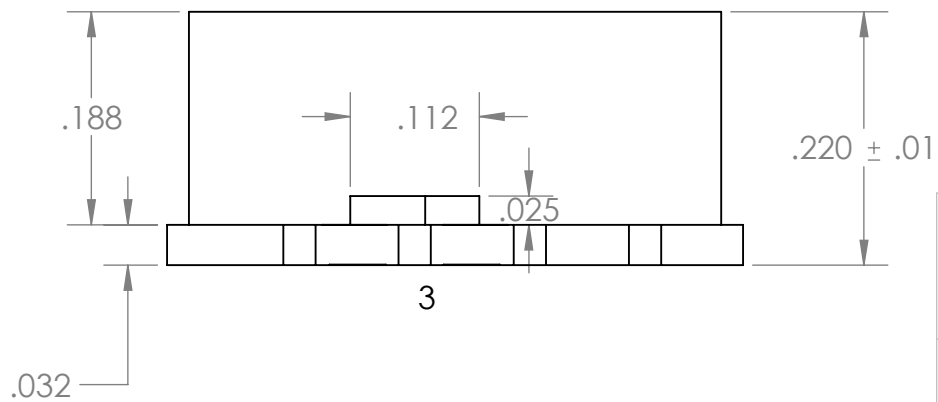
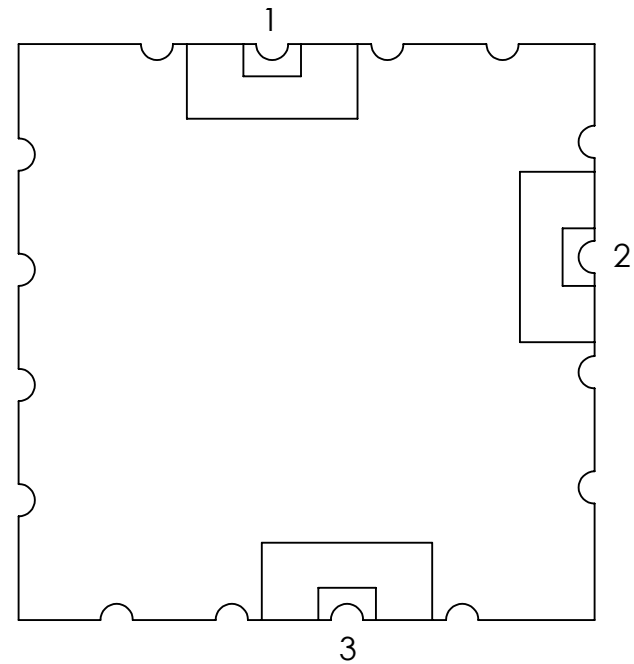
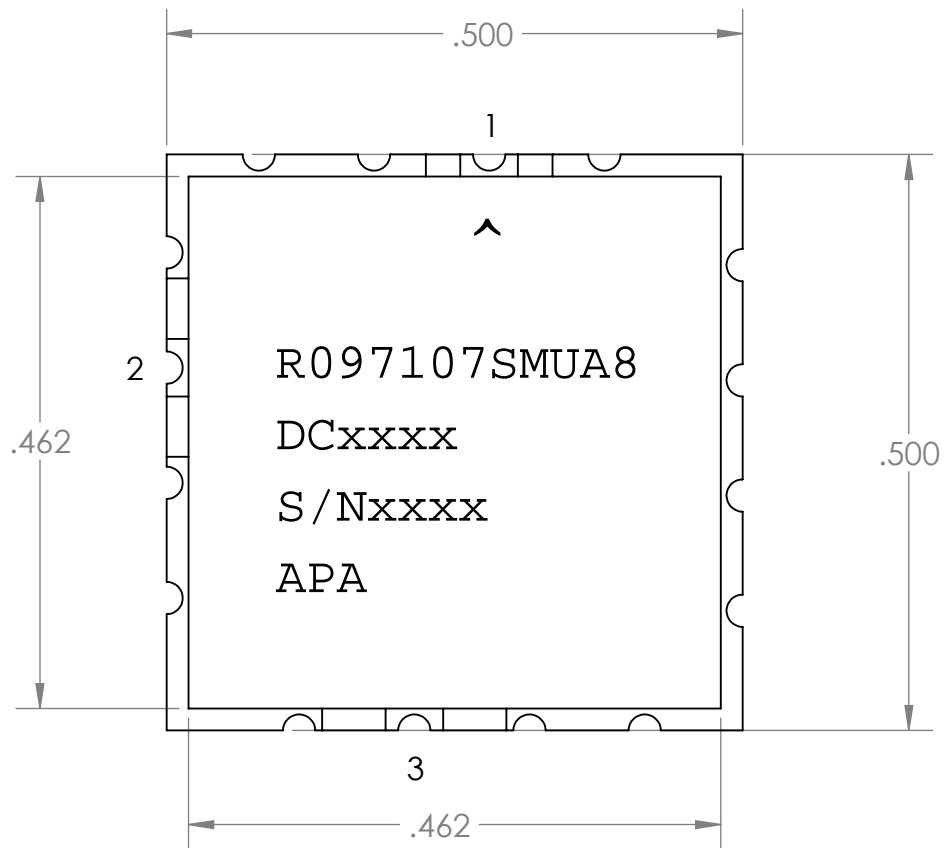
rev_0
rev_1

initial rev
drift with temp

	<u>MIN</u>	<u>TYP</u>	<u>MAX</u>	<u>UNITS</u>	<u>NOTES</u>	<u>Production Test</u>	<u>First Article Test</u>
Frequency Range	974		1074	MHz	1	<input type="checkbox"/>	<input type="checkbox"/>
Tuning Voltage	0		12	V	1	<input type="checkbox"/>	<input type="checkbox"/>
Modulation Sensitivity		11		MHz/V	1	<input type="checkbox"/>	<input type="checkbox"/>
Operates with Vtune = 0V					1	<input type="checkbox"/>	<input type="checkbox"/>
Output Power	5	7	9	dBm	1	<input type="checkbox"/>	<input type="checkbox"/>
Phase Noise @							
1 KHz Offset		-89	-84	dBc/Hz	1	<input type="checkbox"/>	<input type="checkbox"/>
10 KHz Offset		-114	-109	dBc/Hz	1	<input type="checkbox"/>	<input type="checkbox"/>
100 KHz Offset		-134	-129	dBc/Hz	1	<input type="checkbox"/>	<input type="checkbox"/>
1 MHz Offset		-154	-149	dBc/Hz	1	<input type="checkbox"/>	<input type="checkbox"/>
Pushing		0.1	0.3	MHz/V	3	<input type="checkbox"/>	<input type="checkbox"/>
Pulling (12dB RL, any phase)		2	3	MHz _{p-p}	3	<input type="checkbox"/>	<input type="checkbox"/>
Modulation Bandwidth		5		MHz	4	<input type="checkbox"/>	<input type="checkbox"/>
Tuning Port Capacitance		47		pF	2	<input type="checkbox"/>	<input type="checkbox"/>
Harmonics		-15	-10	dBc	3	<input type="checkbox"/>	<input type="checkbox"/>
Frequency drift with temperature							
@ -40C		3	6	MHz	2	<input type="checkbox"/>	<input type="checkbox"/>
@ +85C		3	6	MHz	2	<input type="checkbox"/>	<input type="checkbox"/>
Vcc		8.0		V	5	<input type="checkbox"/>	<input type="checkbox"/>
Icc		28		mA	1	<input type="checkbox"/>	<input type="checkbox"/>
Operating Temperature	-40		+85	C	3	<input type="checkbox"/>	<input type="checkbox"/>
Package		SMUA			6	<input type="checkbox"/>	<input type="checkbox"/>
LxW		0.500		inch sq.	5	<input type="checkbox"/>	<input type="checkbox"/>
Height		0.220		inch	5	<input type="checkbox"/>	<input type="checkbox"/>


Notes

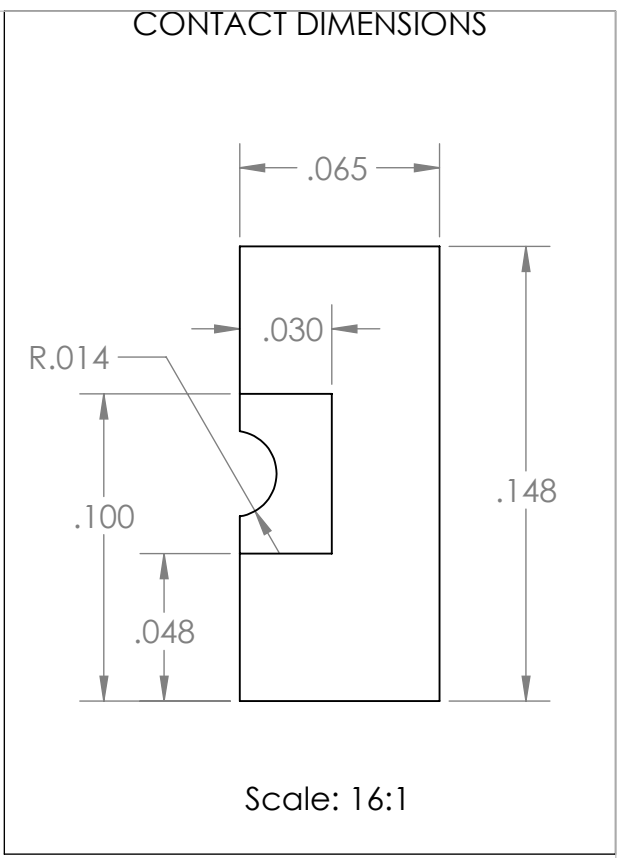
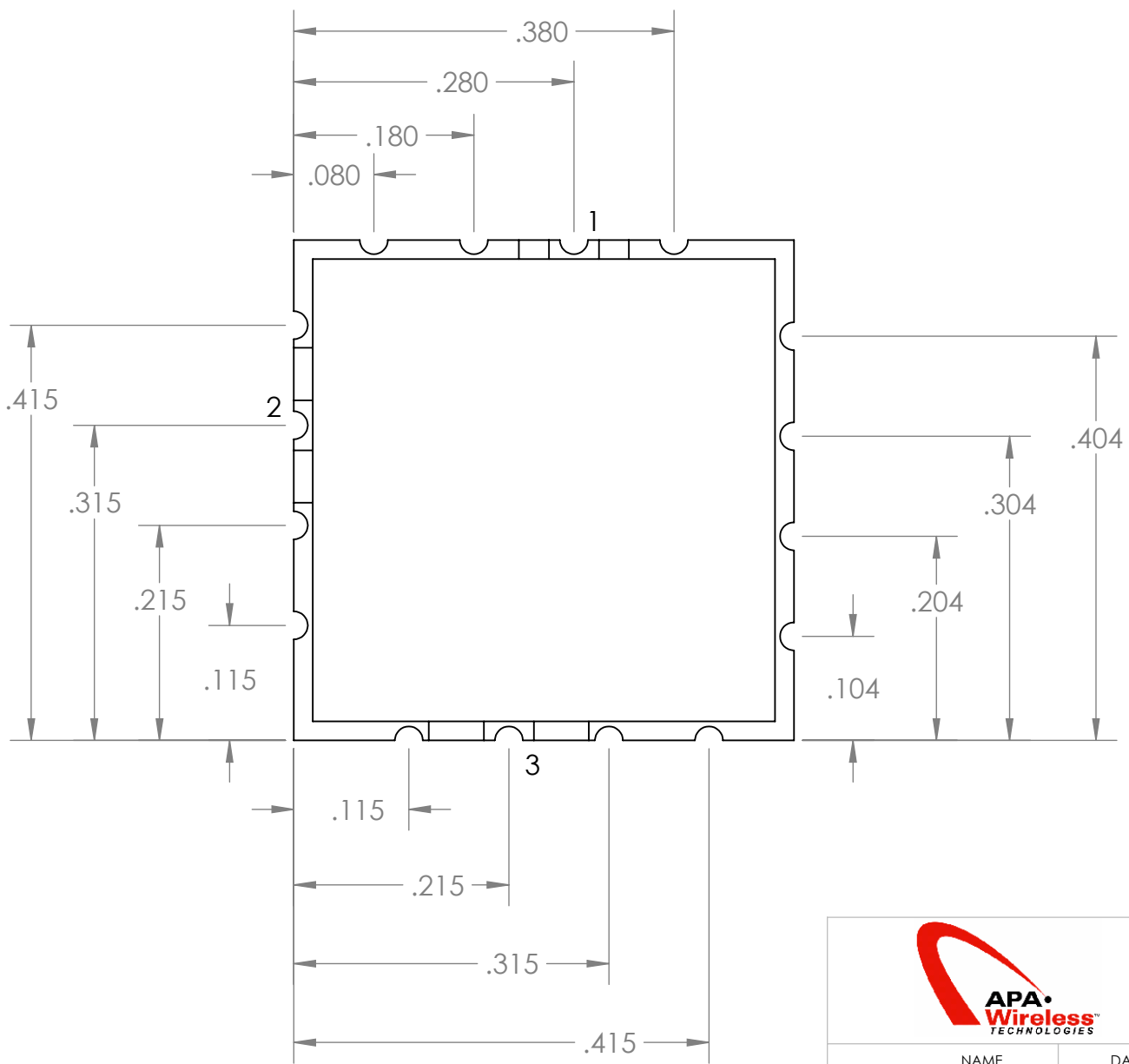
1. Tested in production, and guaranteed
2. Per current design, not a tested parameter
3. Sample tested from production lot
4. Not a tested or guaranteed design goal
5. By inspection
6. RoHS compliant
7. Design goal subject to change
8. Package has solder mask on the bottom



CONTACT ASSIGNMENTS	
1.	RF OUT
2.	VCC
3.	V-TUNE
ALL OTHER CONTACTS ARE GROUND	

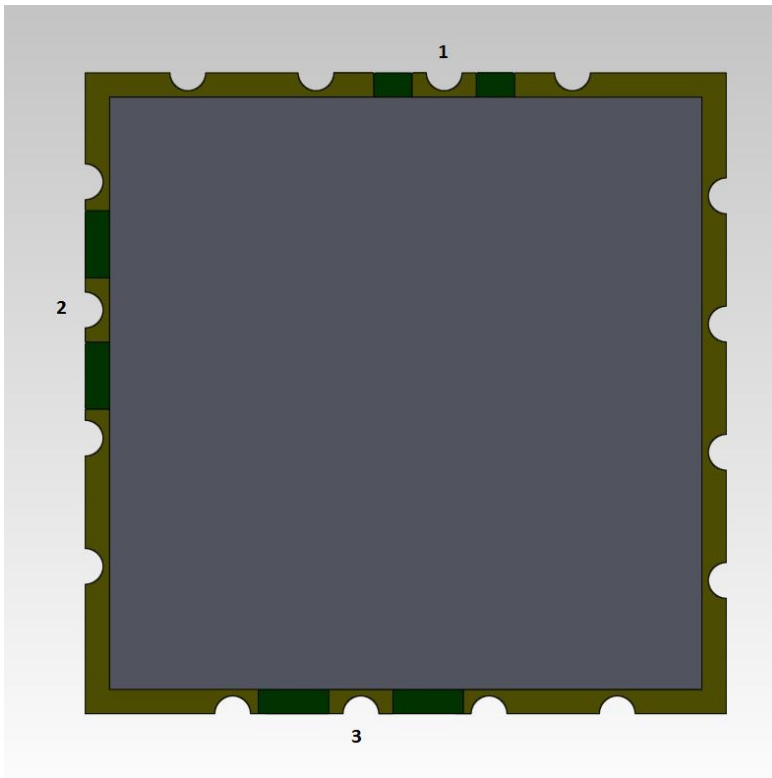


		TITLE:		SMUA PACKAGE	
DRAWN	NAME	DATE	SIZE	DWG. NO.	REV
	Stefan Babulal	2/20/2017	A	1	
COMMENTS: All dimensions are in inches. Tolerances ± 0.005 unless otherwise noted			SCALE: 6:1	unit: inch	SHEET 1 OF 2

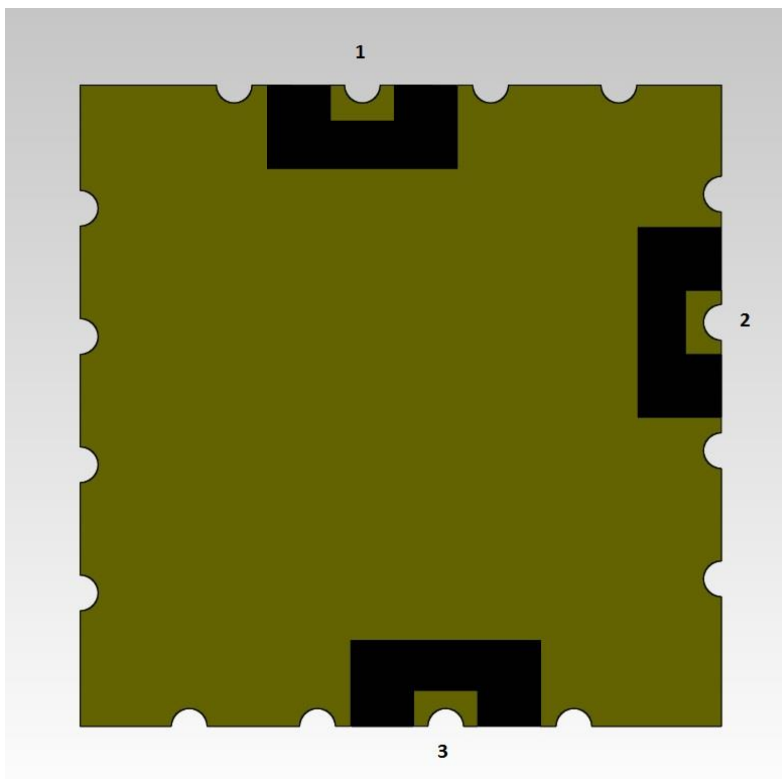


TITLE: SMUA PACKAGE		
SIZE A	DWG. NO. 1	REV
SCALE: 6:1	unit: inch	SHEET 2 OF 2

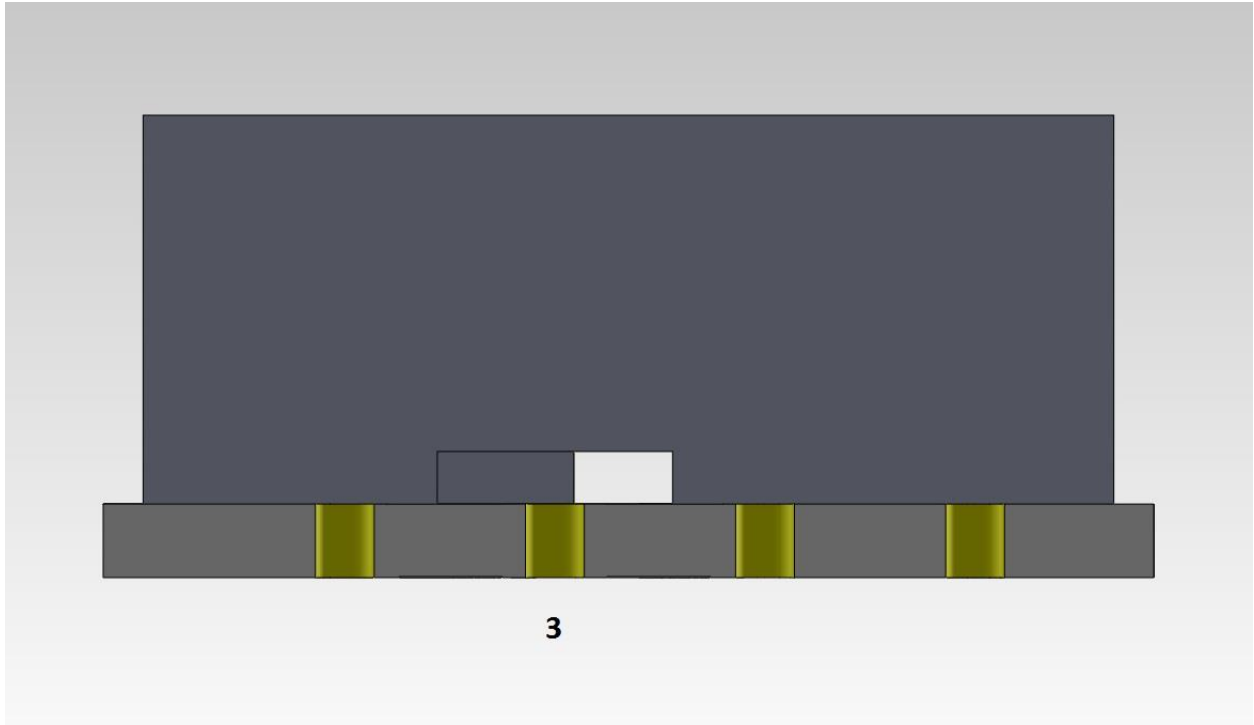
DRAWN	NAME Stefan Babulal	DATE 2/20/2017
COMMENTS: All dimensions are in inches. Tolerances ± 0.005 unless otherwise noted		



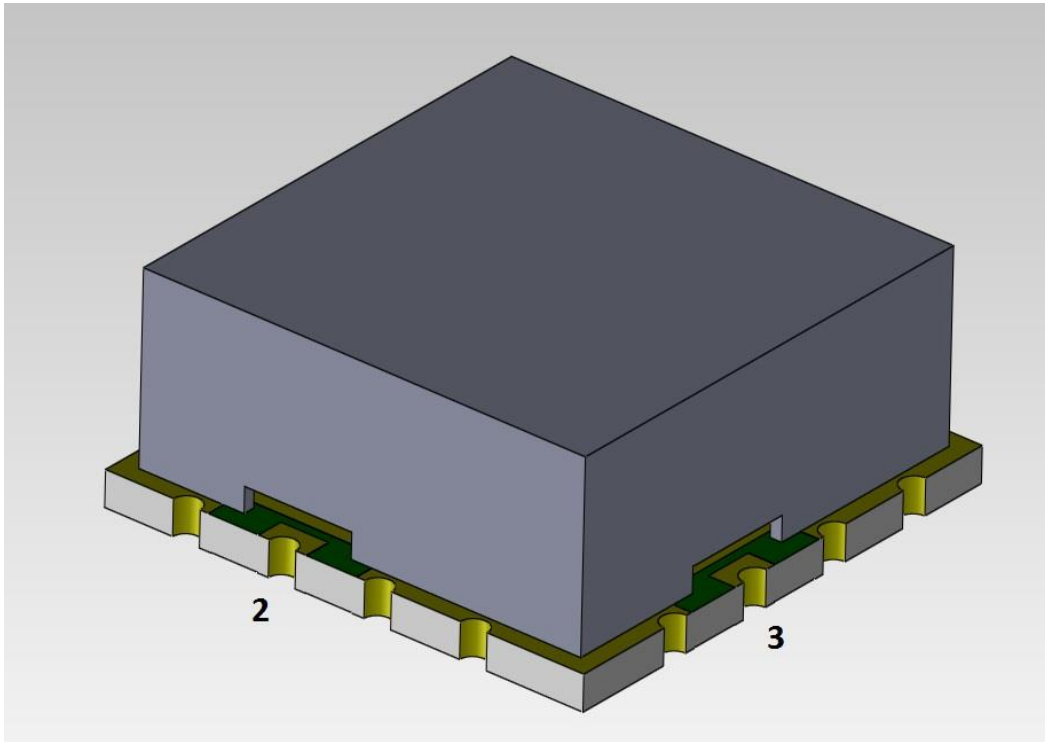
TOP VIEW



BOTTOM VIEW



SIDE VIEW



ISOMETRIC VIEW